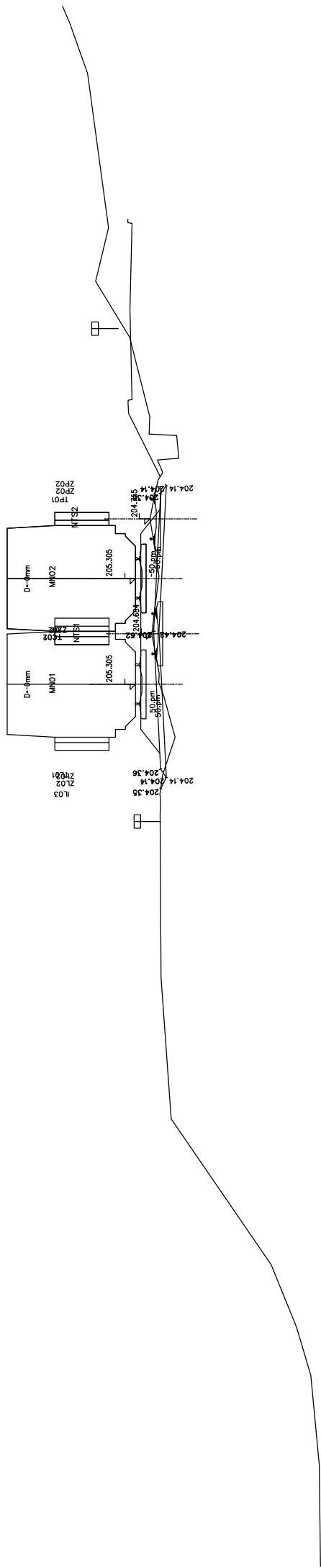


km 13,750 00
PF 36



SROV. ROVINA 195.0 m

VZDAL. NOVY. OS [m]	4.000
POSUNY 1. A. 2. KOLEJE [m]	4.348.524
VZDAL. STAV. OS [m]	4.339

VYSKY TERENU [m.n.m]	198.36
	198.68
	199.22
	200.18
	203.95
	204.34
	204.35
	204.37
	204.36
	204.36
	204.28
	203.81
	204.25
	204.41
	204.41
	204.45
	204.68
	204.59
	204.41
	204.62
	204.76
	204.65
	204.45
	204.47
	204.27
	203.67
	203.75
	204.79
	204.76
	204.77
	205.52
	206.81
	206.32
	207.11
	207.79